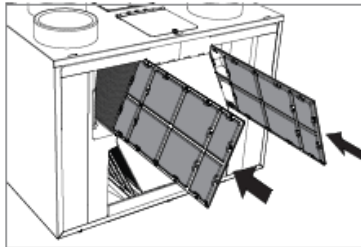


Filter Replacement

1. Remove front cover
2. Slide out *Filters* fitted either side of heat exchanger as shown.
3. *Filters* can be cleaned by **carefully** using a vacuum cleaner, *Filters* should be replaced at least annually
4. Replace *Filters* by carefully sliding the replacement/cleaned filters either side of the heat exchanger.
5. ABD and ABS models use unequal *Filters*. When replacing *Filters* ensure the filter with the open section is fitted to the right hand side of the heat exchanger with the open section to the back of the unit, see illustration
6. Replace the front cover, ensure it is securely located at the top before tightening screws



Filters should be replaced at least annually, or more regularly dependent on environmental conditions.

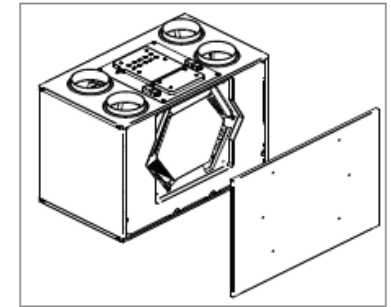
Replacement *Filters* are available from BEAM vacuum & ventilation. *axco* MVHR *Filters* are available in two grades G3 and G4. Filter media should be replaced like for like. G3 *Filters* - Both faces white. G4 *Filters* - One face white, one face blue.

Model	G3 Filter Set	G4 Filters Set
axco MVHR C50	XP40032/099	XP46022/099
axco MVHR C75 axco MVHR C100	XP40133/099	XP46133/099

axco MVHR C130

Front Cover removal

1. ISOLATE the unit from mains power supply and allow sufficient time for all moving parts to stop.
2. Loosen the six screws located in the front of the Cover.
3. Completely remove the Front Cover by pulling it away from the unit.
4. Front Cover replacement is the reverse of the above steps. Ensure that the star washers are re-used.



Note the two centre screws are shorter than the four corner screws. When refitting Front Cover do not overtighten screws.

Cleaning Interior

For best results:

1. Slide out *Filters* fitted either side of heat exchanger.
2. Carefully remove any dust from face of heat exchanger, interior of the unit and the Bypass(if fitted) using a vacuum cleaner.
3. Do not use water or any other fluids.

Cleaning Exterior

For best results use a clean cloth and warm water with a mild detergent solution. Do not use solvents or abrasive cleaners.

BEAM
Vacuum & Ventilation

Opus Business Park, 35 Aughrim Rd, Magherafelt, BT45 6BB, NI
T: +44 (0)28 7963 2424
W: www.beamcentralsystems.com
E: info@beamcentralsystems.com